

HIGH-PRECISION TWO-STAGE PRECISION REGULATOR

R700

Description

The diaphragm regulator provides high-precision two-stage regulation in high flow and high relief applications. A special diaphragm and balanced inner valve ensure constant outlet pressure even with changing supply pressure and flow fluctuations.

Media

compressed air or non-corrosive gases

Supply pressure

max. 17 bar

Accuracy

response sensitivity: < 2 mbar

Air consumption

max. 3 l/min in depending on outlet pressure

Relieving function

relieving

Relief capacity

1000 l/min at 5 bar outlet and 0.35 bar overpressure above setpoint

Gauge port

1/4" NPT on both sides of the body

Mounting position

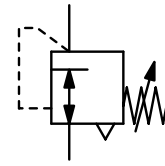
any

Temperature range

0 °C to 71 °C / 32 °F to 160 °F, for appropriately conditioned compressed air down to -29 °C / -29 °F

Material

Body: aluminium die-cast
Elastomer: NBR/Buna-N
Inner valve: stainless steel, brass and aluminium



1/4" NPT to 3/4" NPT
4150 l/min

Dimensions			K _v -value (m ³ /h)	Flow rate		Connection thread NPT	Pressure range bar	Order Number
A	B	C		m ³ /h*1	l/min*1			

Precision pressure regulator

supply pressure max. 17 bar, relieving, with constant bleed

R700

92	176	25	2.0	100	1600	1/4" NPT	0.14 ... 2.7	R700-02A
							0.14 ... 4.1	R700-02B
							0.14 ... 8.2	R700-02C
92	176	25	4.3	220	3600	1/2" NPT	0.14 ... 2.7	R700-04A
							0.14 ... 4.1	R700-04B
							0.14 ... 8.2	R700-04C
92	176	25	5.0	250	4150	3/4" NPT	0.14 ... 2.7	R700-06A
							0.14 ... 4.1	R700-06B
							0.14 ... 8.2	R700-06C



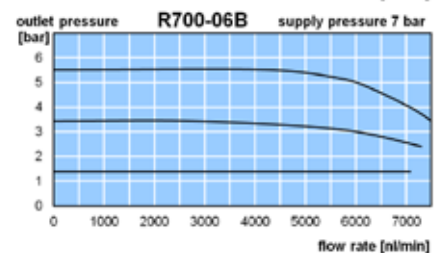
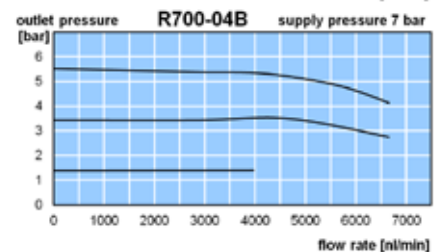
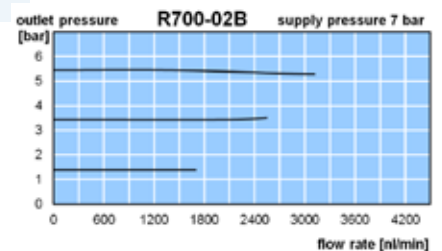
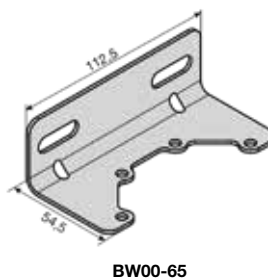
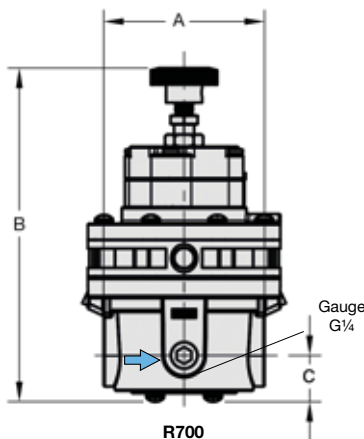
R700

Special options, add the appropriate letter

tapped exhaust	connection thread 1/4" NPT	R700-0 . . X12
tamper-proof cap	aluminium, adjustment by screwdriver, total height 173 mm	R700-0 . . T

Accessories, enclosed

pressure gauge	Ø 63 mm, 0...*2 bar, G1/4	MA6302-...*2
Gauge connectors	NPT connection thread, adapter 1/4" NPT to G1/4 female	VP-0202N
Mounting bracket	made of steel	BW00-65



*2 bei 04 = 0...4 bar, 06 = 0...6 bar, 10 = 0...10 bar

* Product group

Gauges: see chapter for measuring devices

PDF CAD
www.aircom.net



Order example:
R700-02A